


Algozen

Algozen is pleased to bring to you: **PSIM[®]** by:  **POWERSIM**

If your company is involved in power electronics development of any kind, you need the tools to do the job right.

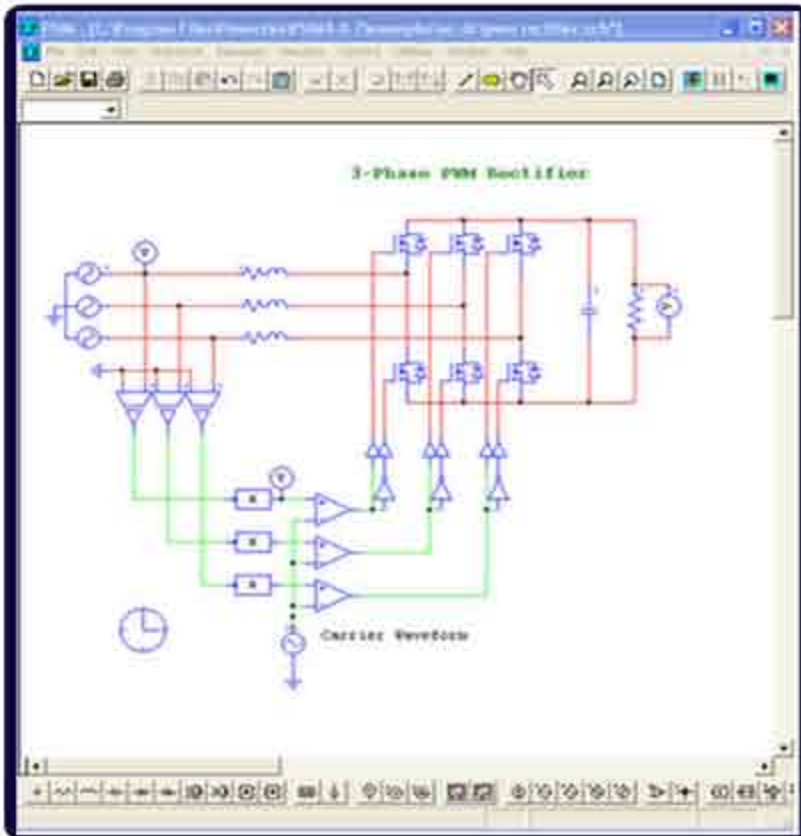
The key tools to succeed in power electronics and all electronics are good schematic capture and PCB layout tools.

Most notably however, the power electronics field has special needs when it comes to simulation.

PSIM Software by Powersim Inc. is one of the most widely accepted successful power electronics simulation tools in the world. Its speed and ease of use is exceptional.

Designed for power electronics, this tool is one of Algozen's favourite enabling technologies for any company involved in power electronics.

Algozen is pleased to offer several special Software bundles that include CADSTAR and PSIM. Please see our special offers in the following pages. Bundle offers are available until March 31, 2010.



Key Features of PSIM:

- Easy to Use
- Fast Simulation
- Flexible control representation
- Frequency response analysis (AC sweep)
- Co-Simulation with MATLAB/Simulink
- Comprehensive Motor Drive Library
- Digital Control system simulation
- Dynamic Link to Finite Element Analysis Software
- Custom C/C++ Code
- Built-in Power and Control Blocks

For Detailed descriptions, follow:
<http://www.powersimtech.com/features.html>

Other Modules that augment the functionality of PSIM:

- Motor Drive Module- for Electric motor drives
- Digital Control Module- for analysis of digital control in z-domain
- SimCoupler Module- for co-simulation with MATLAB/Simulink
- Thermal Module- for loss-calculation and thermal analysis of switching devices
- Renewable Energy Module- for modeling of solar arrays and wind turbines.

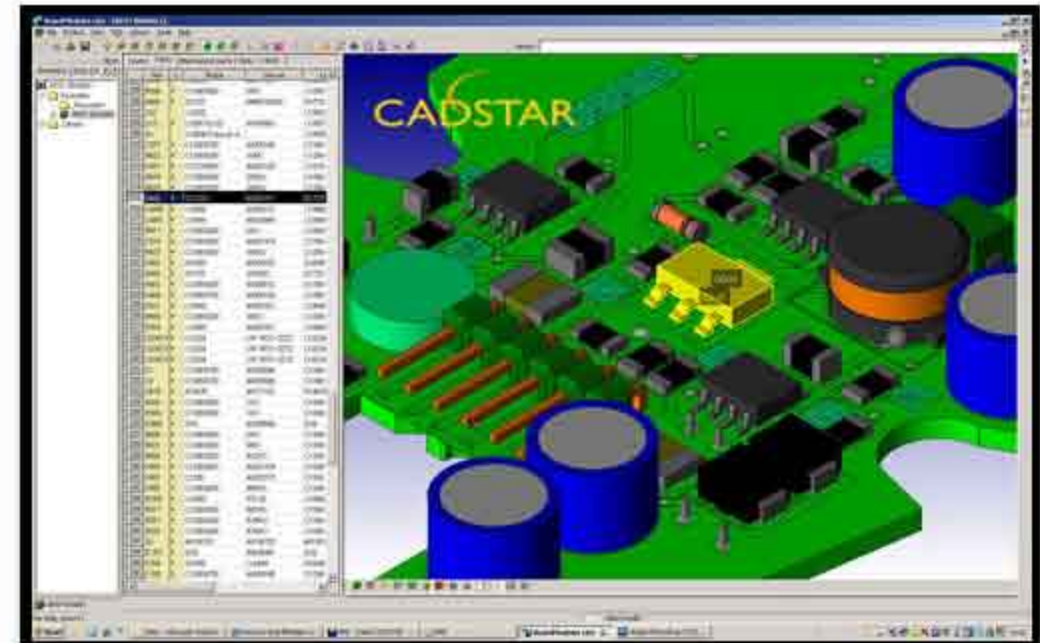
Note: All bundles for PSIM Professional are Stand Alone versions
PSIM Network version is priced separately.
All CADSTAR Bundles are available as Stand Alone or Network version at no additional cost.

Algozen

Introducing CADSTAR Printed Circuit Board Design Software Promotional Bundles



Not only is CADSTAR PCB design software outstanding but now advanced 3D printed circuit board design is here, With EMC management and circuit simulation too !



Now is the time for your company to upgrade your engineering capability.
Purchase CADSTAR and dramatically advance your product design capability.

**Don't wait to take advantage of these incredible prices.
Offer expires March 31, 2010**